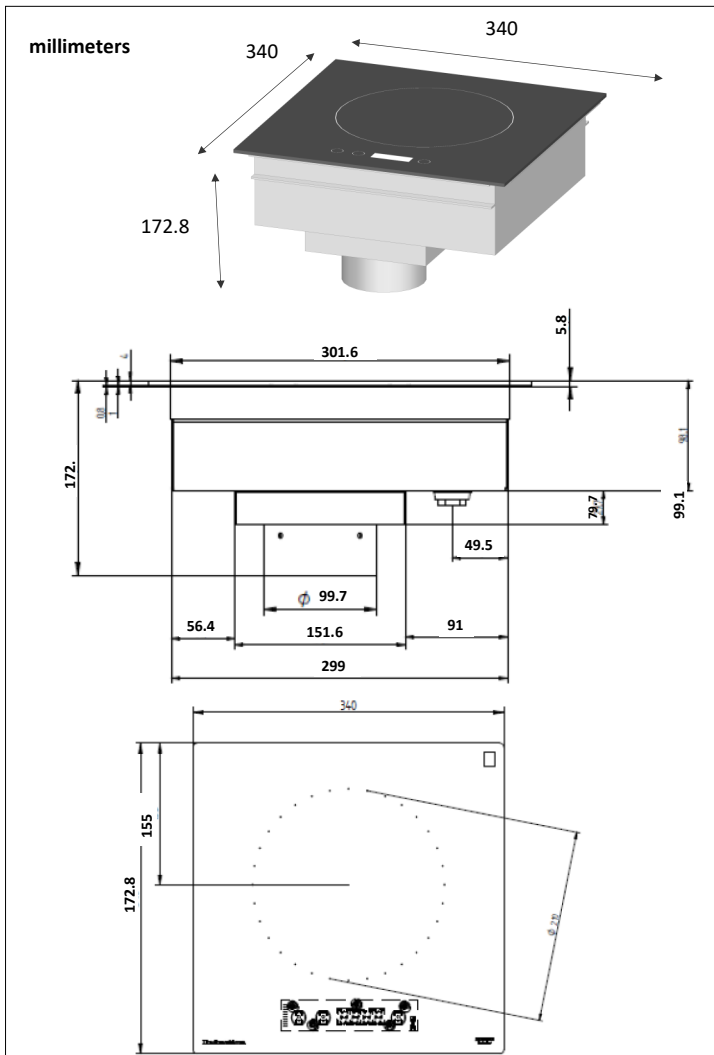
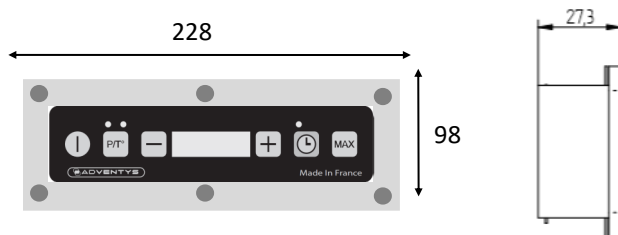


TECHNICAL FEATURES	
External structure	Aluminium casing and vitroceramic glass
Dimensions	340x340mm
Power	3000W
Cooking surface	340x340mm
Control panel	Capacitive touches 6 keys 4 digits Remote drop-in control panel to fix with screws.
Amp	13A
Functions	On/Off, manual power and temperature setting (+/-) from 30 to 250°C. Timer Boost
Power supply	230 V ; 208/240 V ; AC 50 - 60 Hz
Weight	8 kg kg / 17,3 lbs.
Standards	Complies with European standards for safety of electrical appliances.
Details & Options	Including a power cord without plug and a washable filter (wash regularly). Including stainless steel frame to drop in client structure for flushed installation. Including 2M cable between control panel and generator



Cut out dimensions 346x346mm



Cut out dimensions: 198 x 68 mm

ADVENTYS
Route de Pagny - 21250 Seurre - France
www.adventys.com
sales@adventys.com
T: +33 3 80 20 46 15

Important note

Adventys reserves the right to modify specifications without notice.

